

# Powering the Future of Hyperscale

## Market Situation

Hyperscale, AI, and high-density data centers require integrated electrical infrastructure capable of supporting large, continuous loads with high reliability and rapid deployment schedules. EPC contractors and developers are seeking partners that can deliver modular, scalable, and fully integrated power systems across the entire electrical chain.

## Integrated Technical Scope

Zhiguang Electric and Rise Up Technologies provide EPC contractors and data center developers with an integrated, scalable, and rapidly deployable power infrastructure platform spanning:

- Battery Energy Storage Systems
- Flywheel Energy Storage
- Transformers & Substation Equipment
- DC Power & Rectifier Systems
- Hybrid & Microgrid Solutions

The partnership enables accelerated deployment, cost optimization, and high-reliability power architecture for next-generation data center campuses.

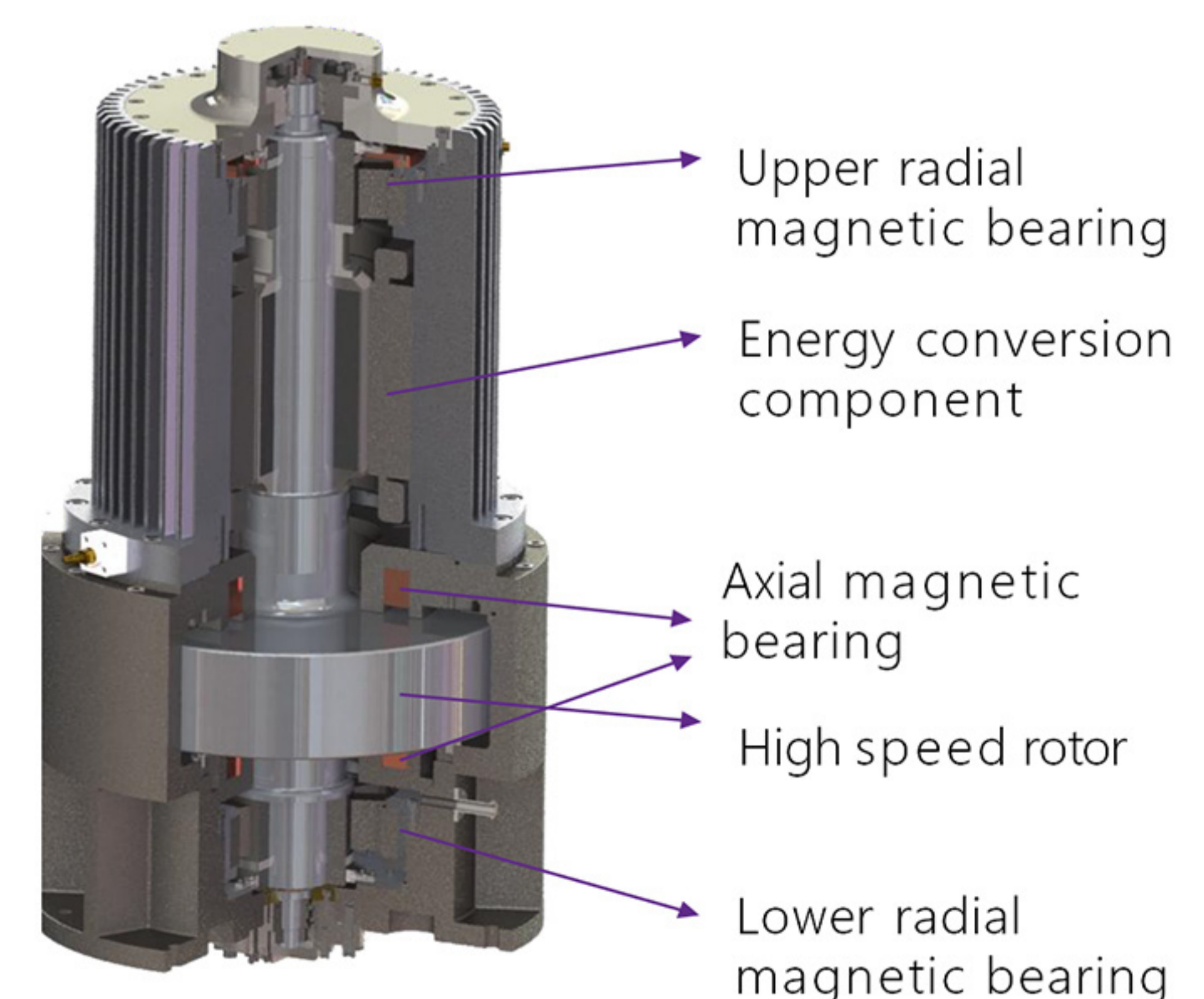
## Flywheel Energy Storage Systems (FESS)

- Instantaneous High-Power Response
- Wide Temperature Tolerance
- Low Losses & Long Service Life
- High Energy Conversion Efficiency
- High-Accuracy Energy Measurement



## Battery Energy Storage Systems (BESS)

- Utility-scale and behind-the-meter storage systems
- Peak shaving, load management, and grid support
- Backup and ride-through capability
- Integration with onsite generation and microgrids
- Support for high-density AI compute loads



## Transformers & Substation Equipment

- Low Voltage, Medium Voltage and High-Voltage transformers
- Skid-mounted modular substations
- Containerized substation blocks
- Accelerated manufacturing schedules for large campuses

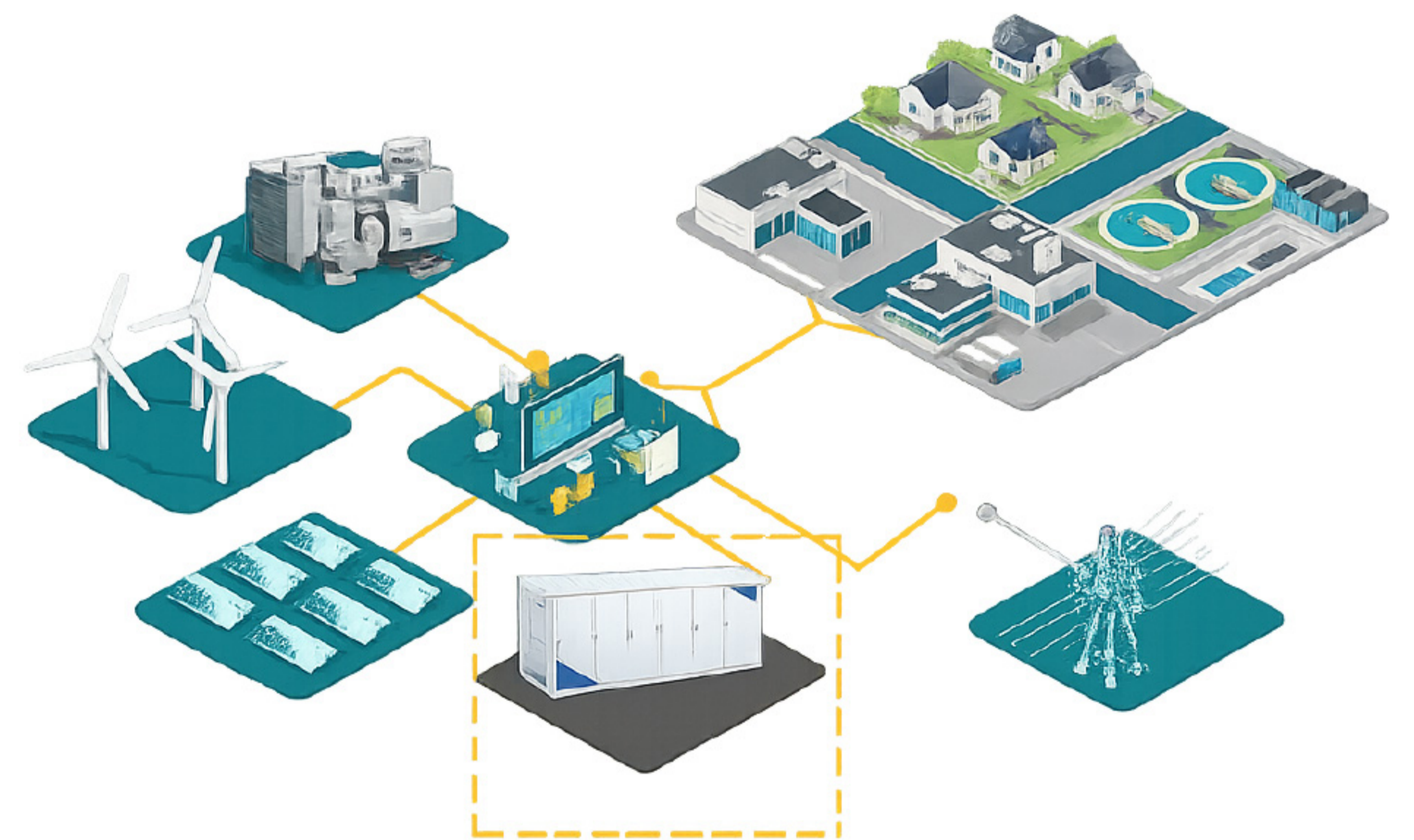


## DC Power & Rectifier Systems

- High-efficiency DC supply systems
- Redundant power architectures for mission-critical loads
- Integration with UPS and battery systems

## Hybrid & Microgrid Solutions

- Solar + storage + grid integration
- Gas turbine and diesel hybridization
- Standby capability and resilience engineering



## What we Can Deliver to Data Center Developers

### Accelerated Deployment

- Modular, factory-built systems
- Shorter lead times vs. traditional supply chain

### Cost Optimization

- Competitive global manufacturing
- Integrated procurement across multiple power components

### Reliability & Redundancy

- Tier III/IV-ready infrastructure
- Scalable N+1 and 2N architectures

### EPC & Developer Support

- Design-assist and specification support
- Integration with U.S. EPC contractors
- Commissioning and lifecycle support

### Flexible Commercial Structures

- Direct supply
- EPC partnerships
- Storage-as-a-service or hybrid PPA models
- Strategic sourcing for large portfolios



9540, 9540 A,  
1973, 1741



National Fire Protection Association:  
Standards for stationary storage battery systems



IEEE  
1547